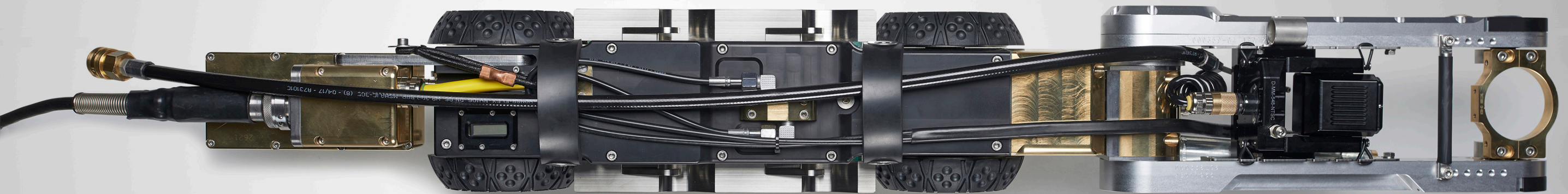


# Talpa FSR 2060 with rubber wheels

Recommended set up for DN 200

rubber wheel complete  
including inside rim and front plate

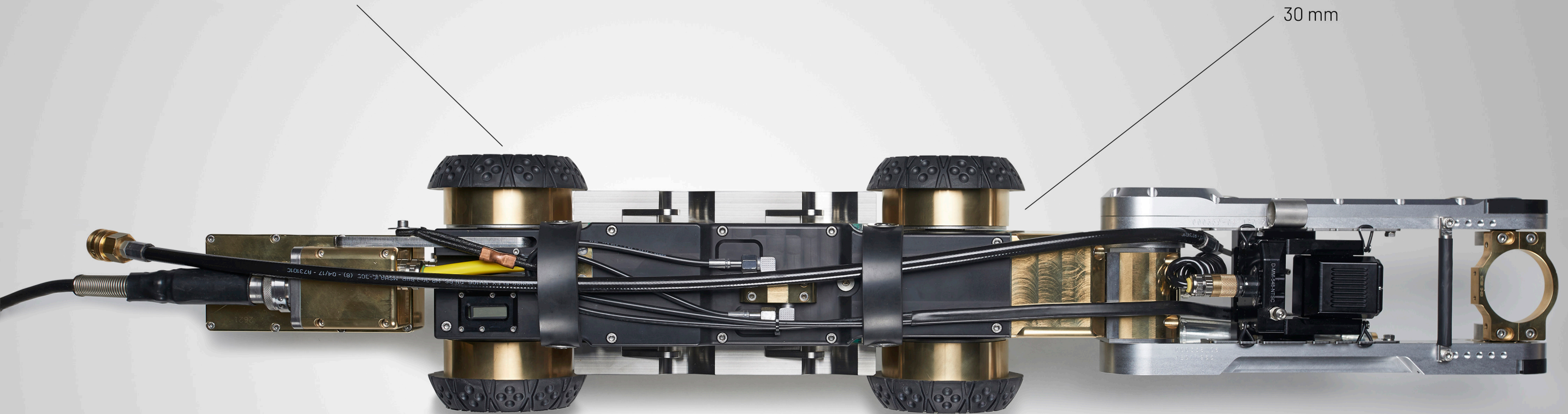


# Talpa FSR 2060 with rubber wheels

Recommended set up for DN 250

rubber wheel complete  
including inside rim and front plate

wheel extension  
30 mm



# Talpa FSR 2060 with rubber wheels

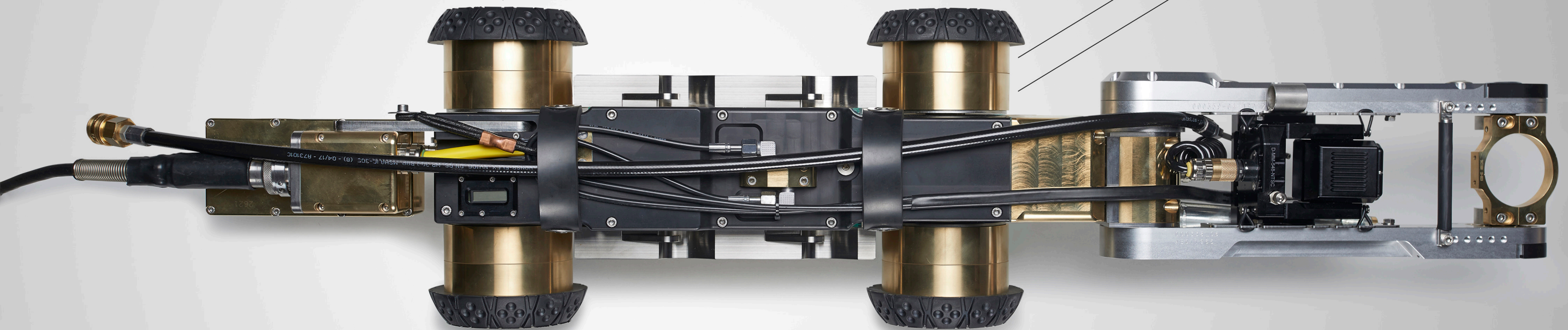
Recommended set up for DN 300

rubber wheel complete  
including inside rim and front plate

wheel extension

25 mm

30 mm



# Talpa FSR 2060 with rubber wheels

Recommended set up for DN 400

rubber wheel complete  
including inside rim and front plate

wheel extension

25 mm

25 mm

30 mm



# Talpa FSR 2060 with carbide wheels

Recommended set up for DN 500

rubber wheel complete  
including inside rim and front plate

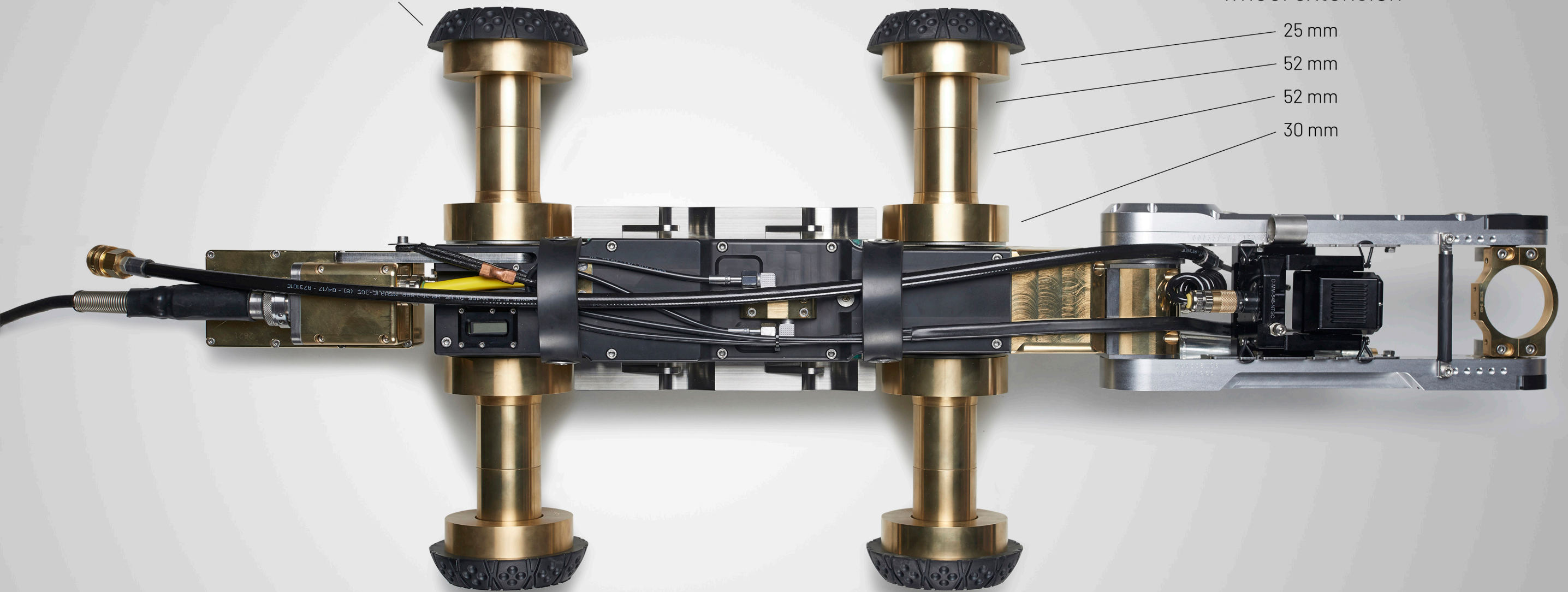
wheel extension

25 mm

52 mm

52 mm

30 mm



# Talpa FSR 2060 with rubber wheels

Recommended set up for DN 600

rubber wheel complete  
including inside rim and front plate

wheel extension

- 25 mm
- 52 mm
- 52 mm
- 25 mm
- 30 mm

