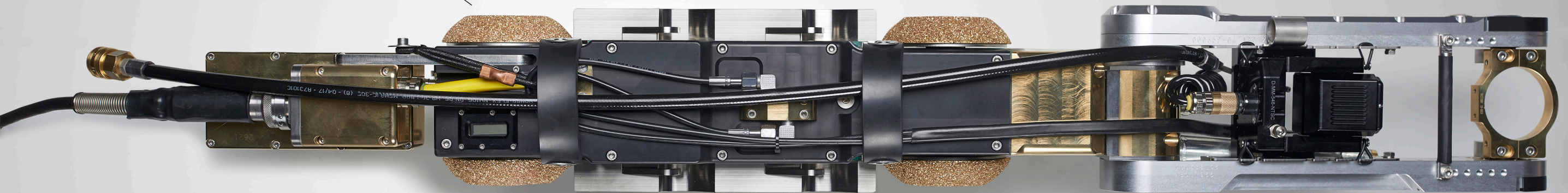


Talpa FSR 2060 with carbide wheels  
Recommended set up for DN 200

carbide wheel

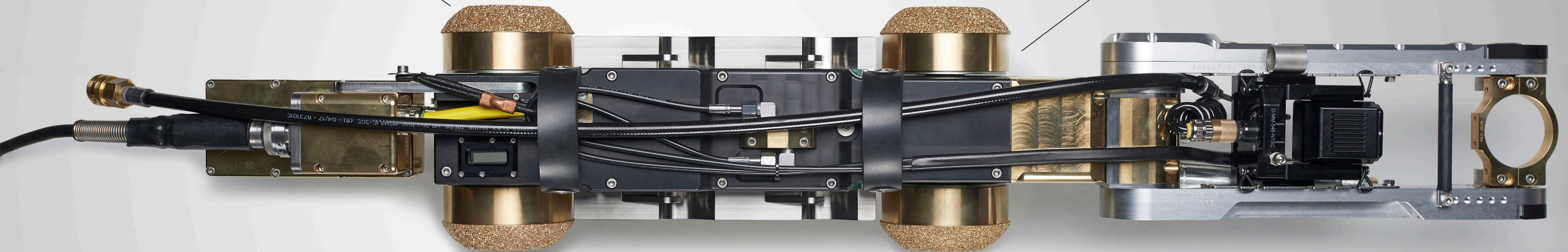


Talpa FSR 2060 with carbide wheels  
Recommended set up for DN 250

carbide wheel

wheel extension

30 mm



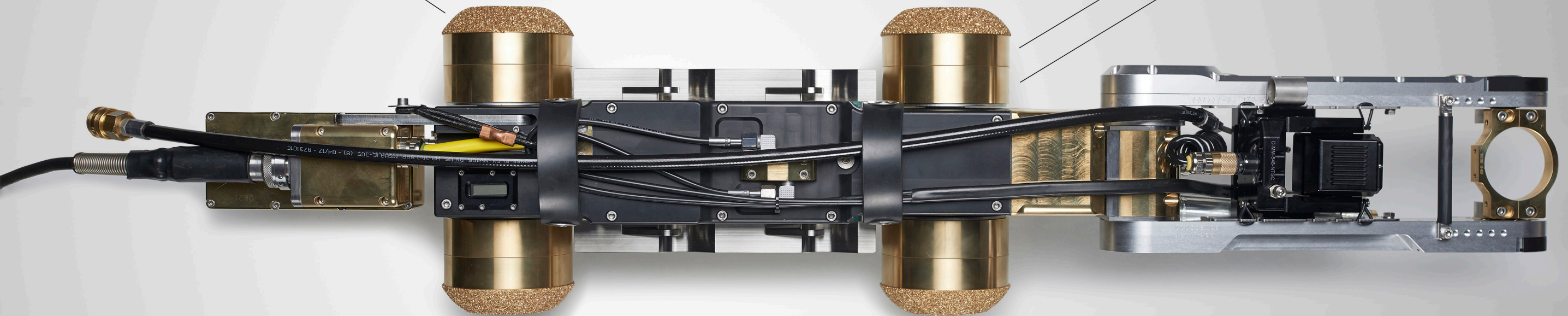
Talpa FSR 2060 with carbide wheels  
Recommended set up for DN 300

carbide wheel

wheel extension

25 mm

30 mm



# Talpa FSR 2060 with carbide wheels

Recommended set up for DN 400

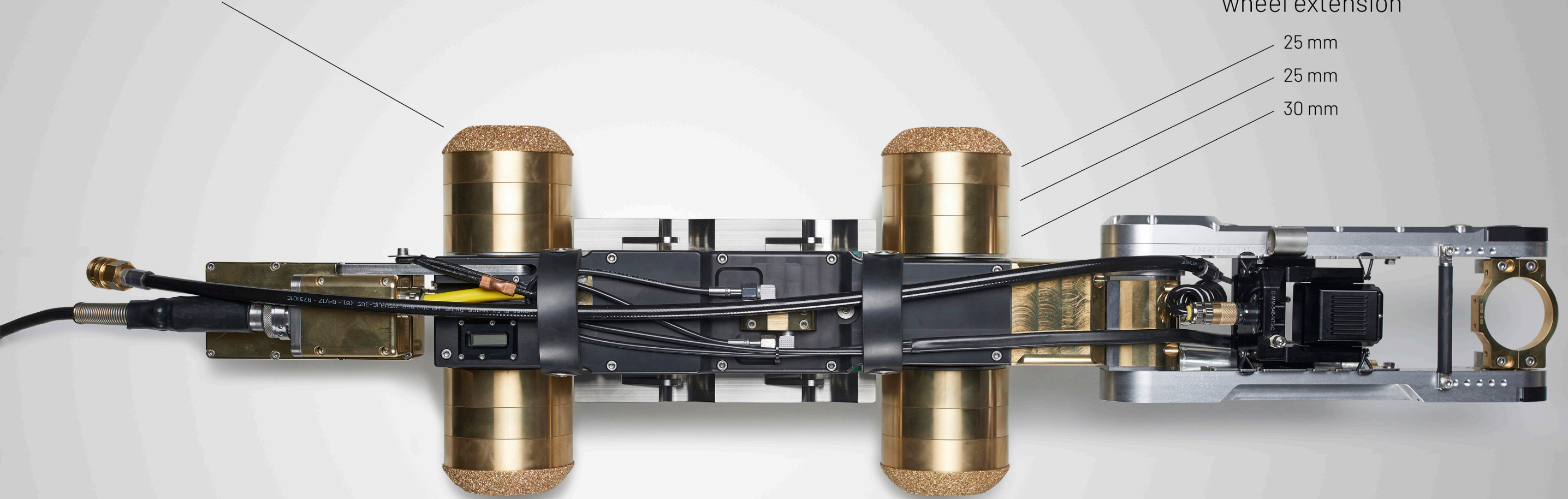
carbide wheel

wheel extension

25 mm

25 mm

30 mm



# Talpa FSR 2060 with carbide wheels

Recommended set up for DN 500

carbide wheel

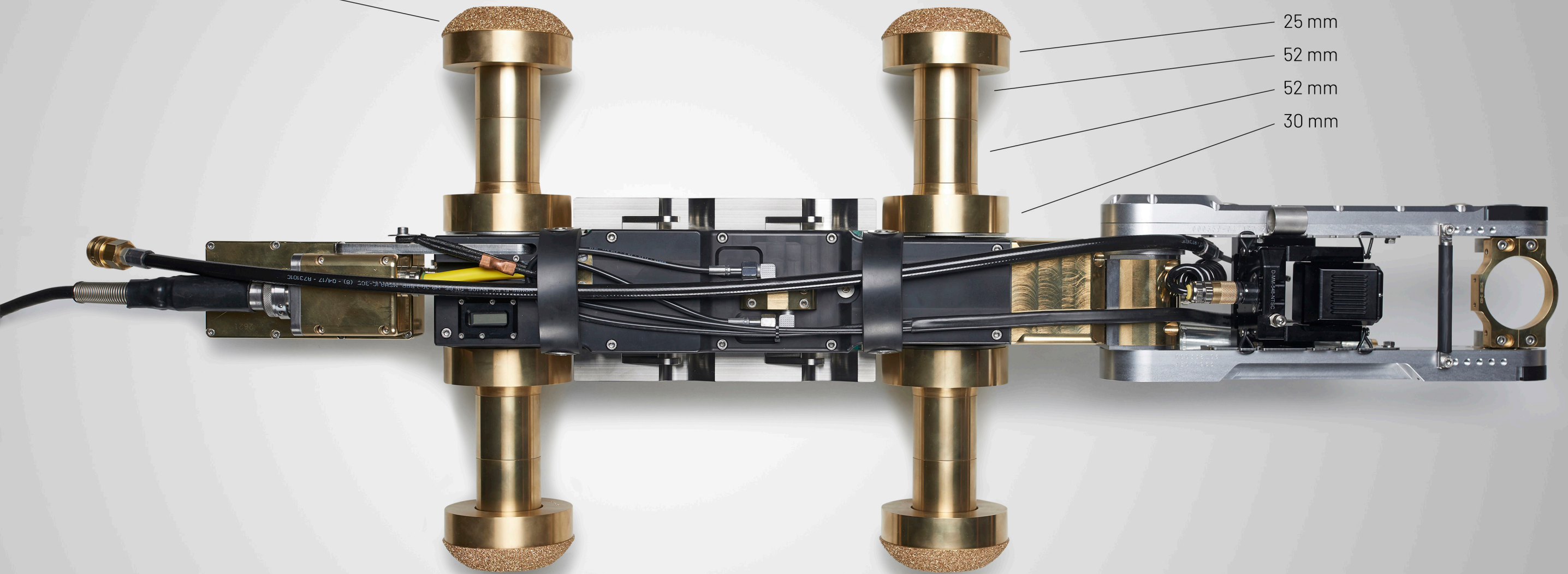
wheel extension

25 mm

52 mm

52 mm

30 mm



# Talpa FSR 2060 with carbide wheels

Recommended set up for DN 600

carbide wheel

wheel extension

25 mm

52 mm

52 mm

25 mm

30 mm

