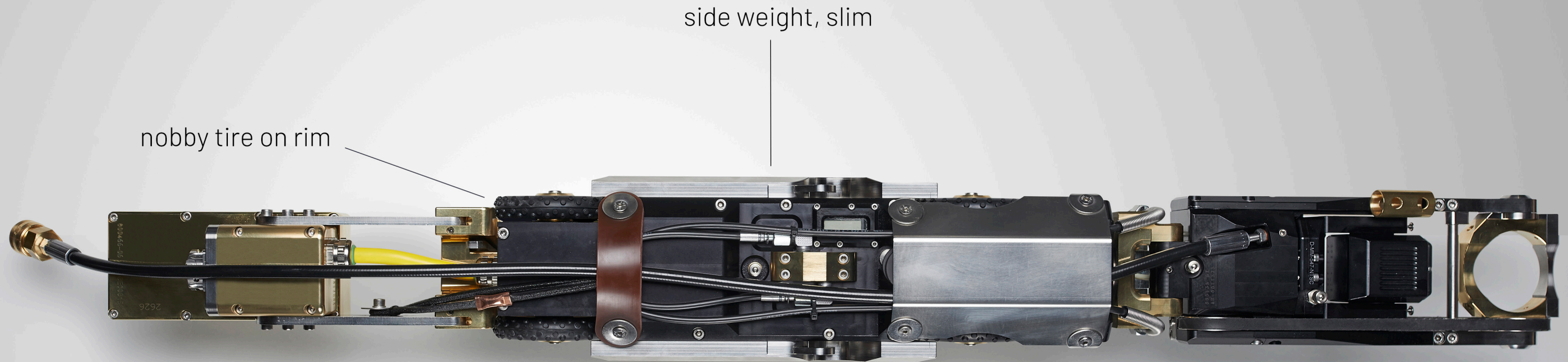
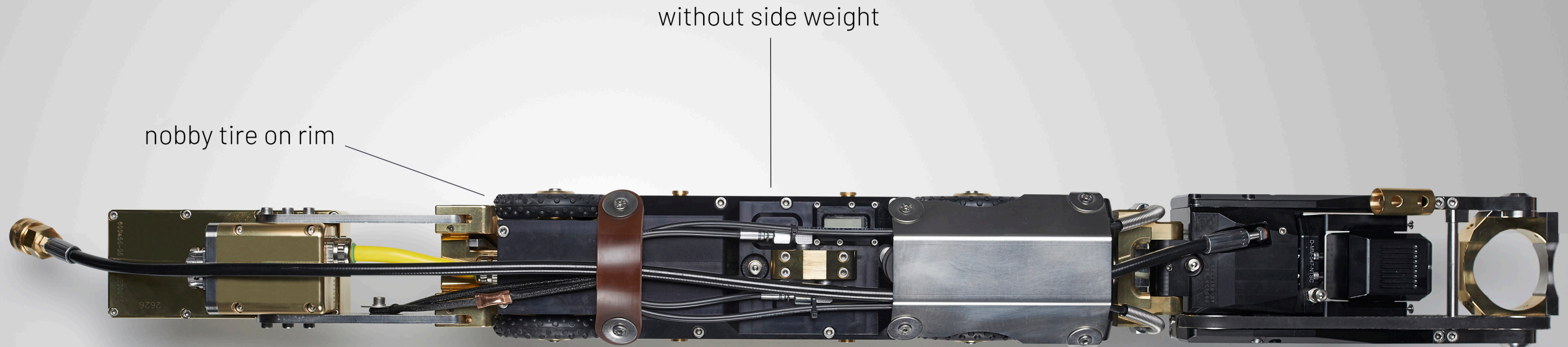


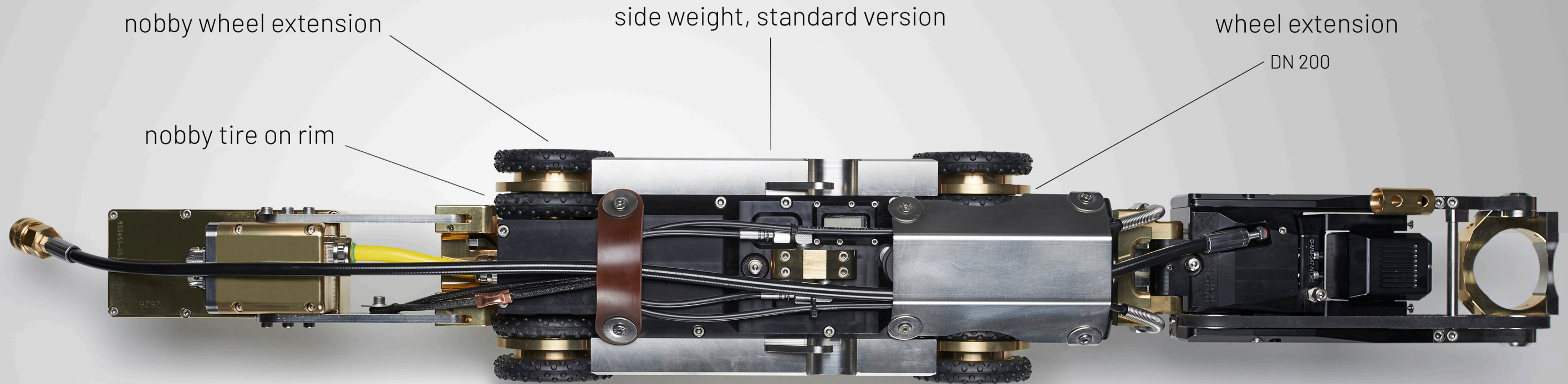
Talpa FSR 1330 with nobby wheels  
Recommended set up for DN 150



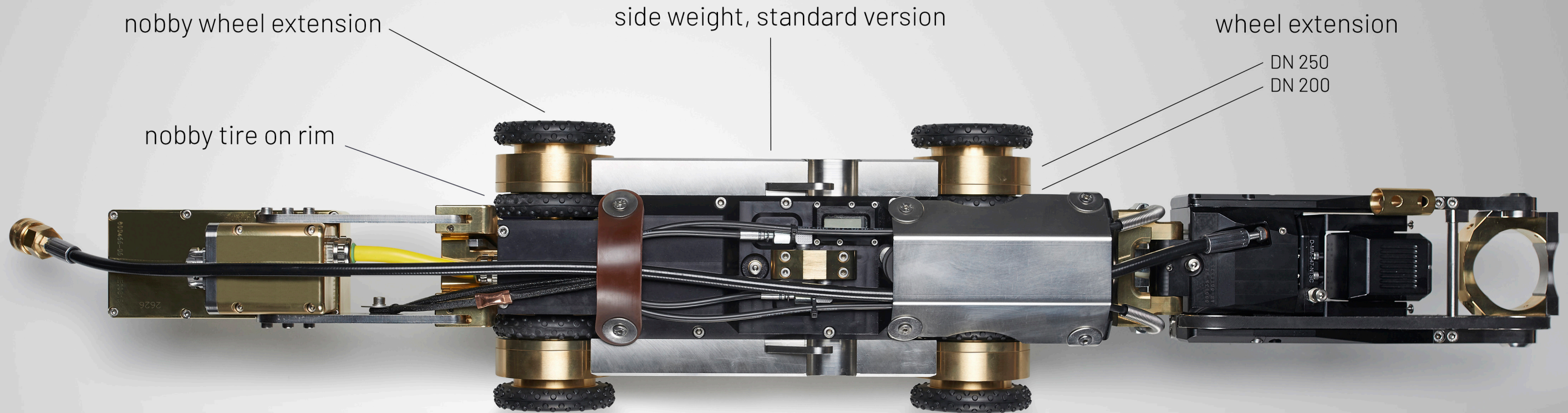
Talpa FSR 1330 with nobby wheels  
Recommended set up for DN 150



Talpa FSR 1330 with nobby wheels  
Recommended set up for DN 200



Talpa FSR 1330 with nobby wheels  
Recommended set up for DN 250



Talpa FSR 1330 with nobby wheels  
Recommended set up for DN 300

