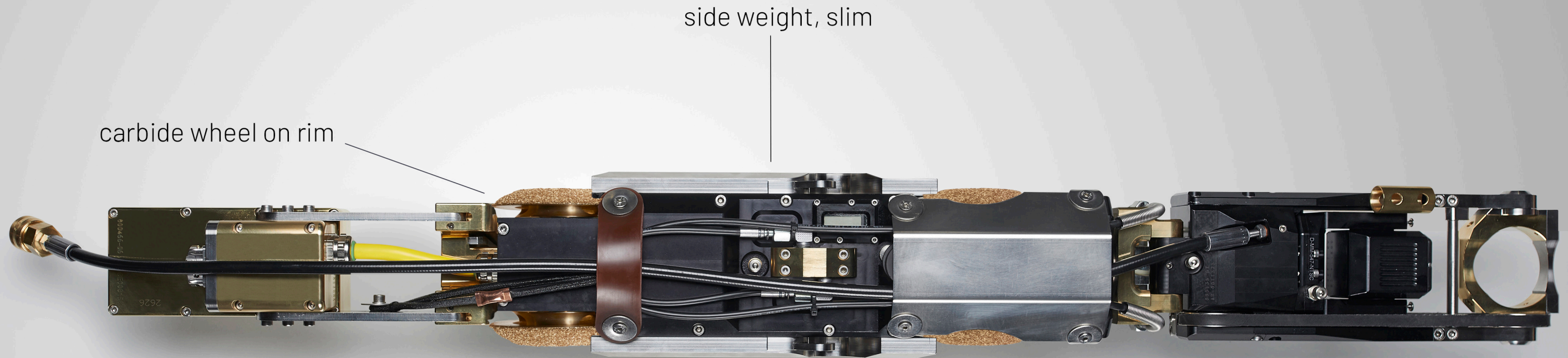
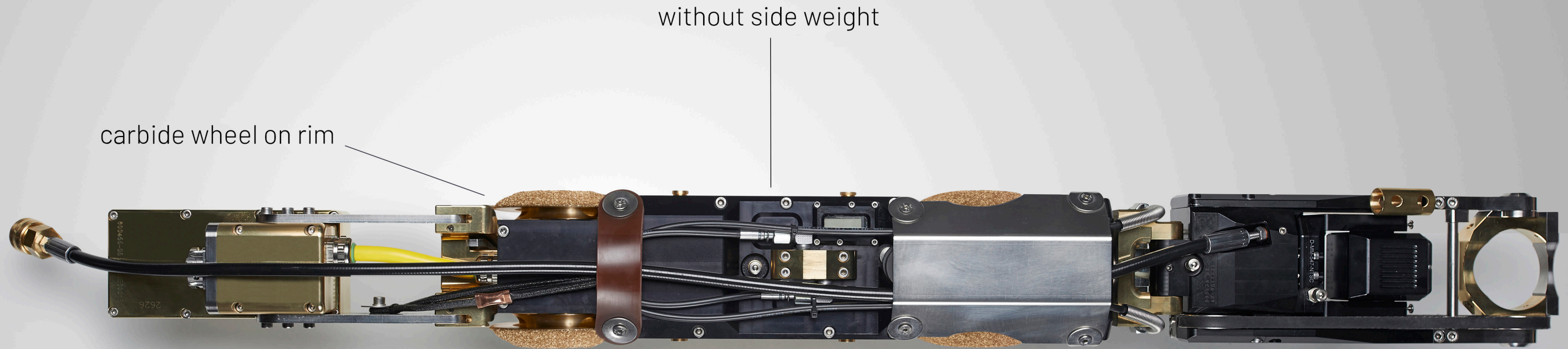


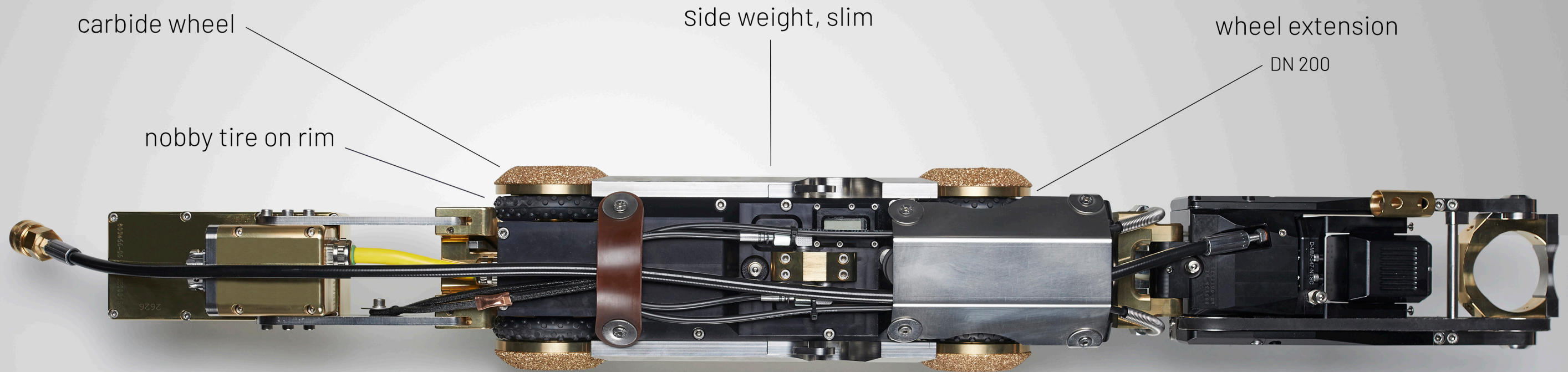
Talpa FSR 1330 with carbide wheels
Recommended set up for DN 150



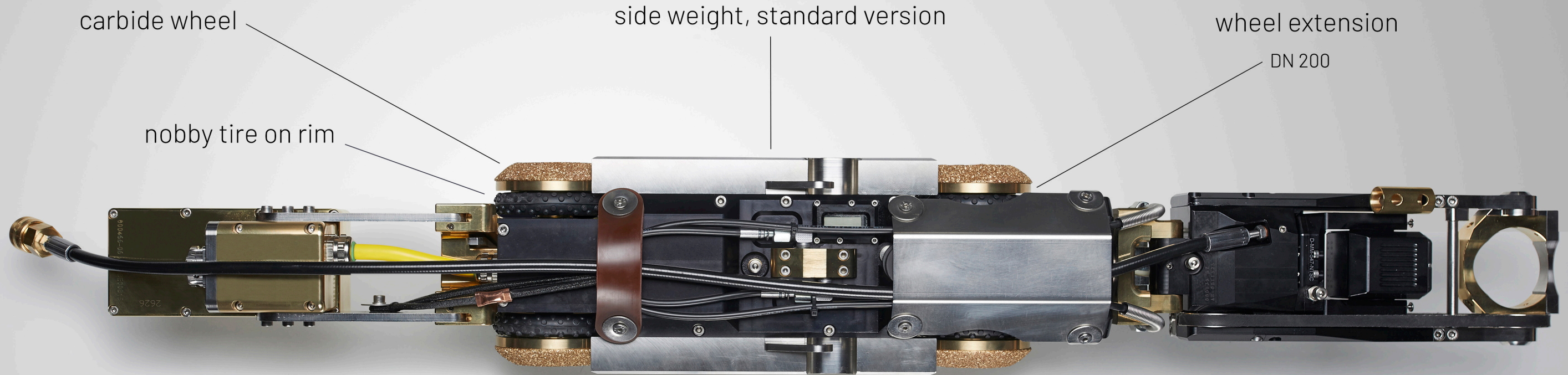
Talpa FSR 1330 with carbide wheels
Recommended set up for DN 150



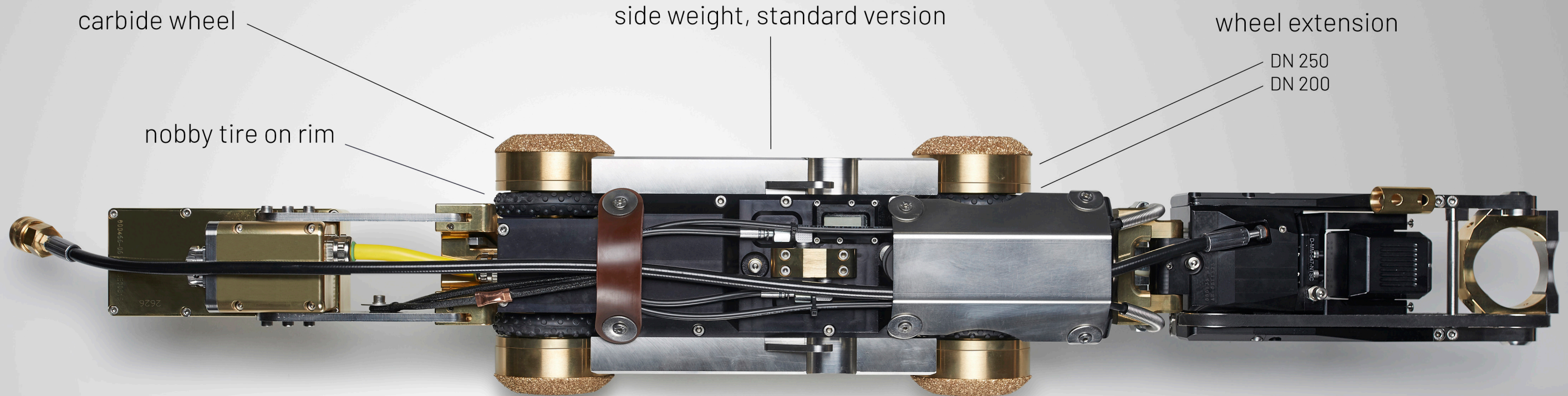
Talpa FSR 1330 with carbide wheels
Recommended set up for DN 200



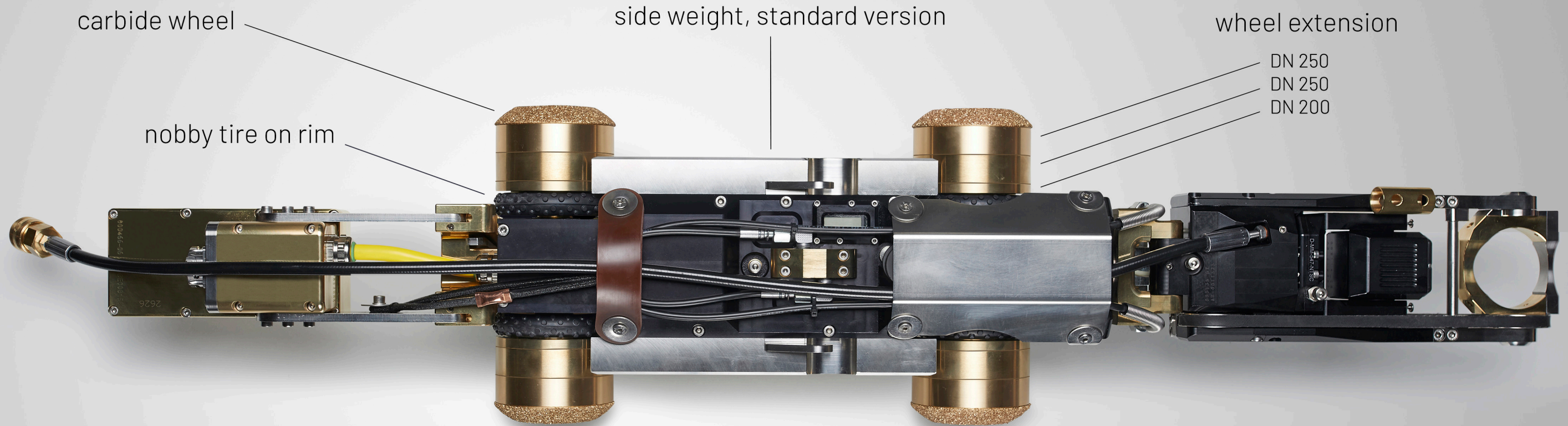
Talpa FSR 1330 with carbide wheels
Recommended set up for DN 200



Talpa FSR 1330 with carbide wheels
Recommended set up for DN 250



Talpa FSR 1330 with carbide wheels
Recommended set up for DN 300



carbide wheel

nobby tire on rim

side weight, standard version

wheel extension

- DN 250
- DN 250
- DN 200